

ACCUTINTER 7000 SPARE PARTS MANUAL



Rev(B)

**For models
manufactured after
September 2011
including:*

33706

33707

33709

33721

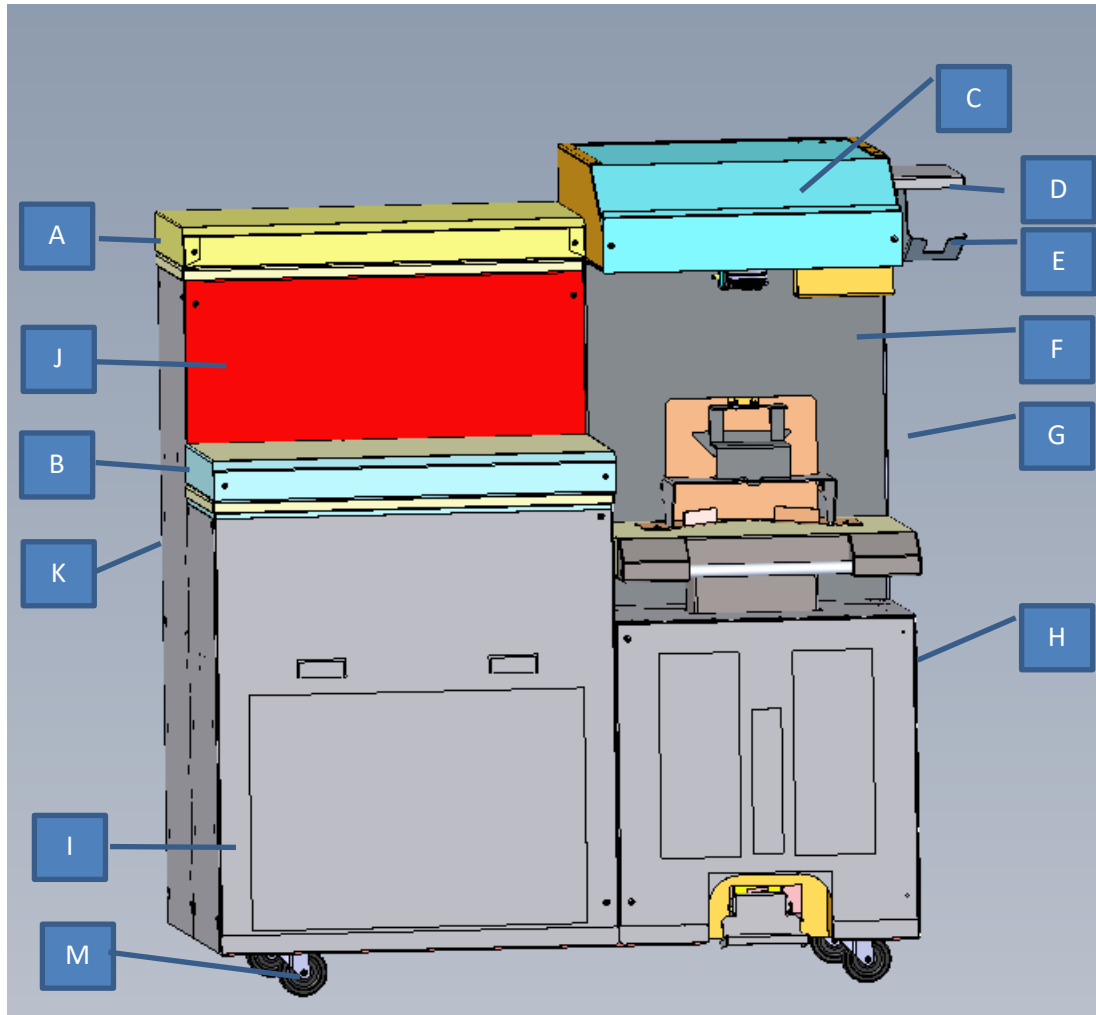
***Includes Legacy
Equipment spare parts
references*

AT 7000 Spare Parts Quick Reference

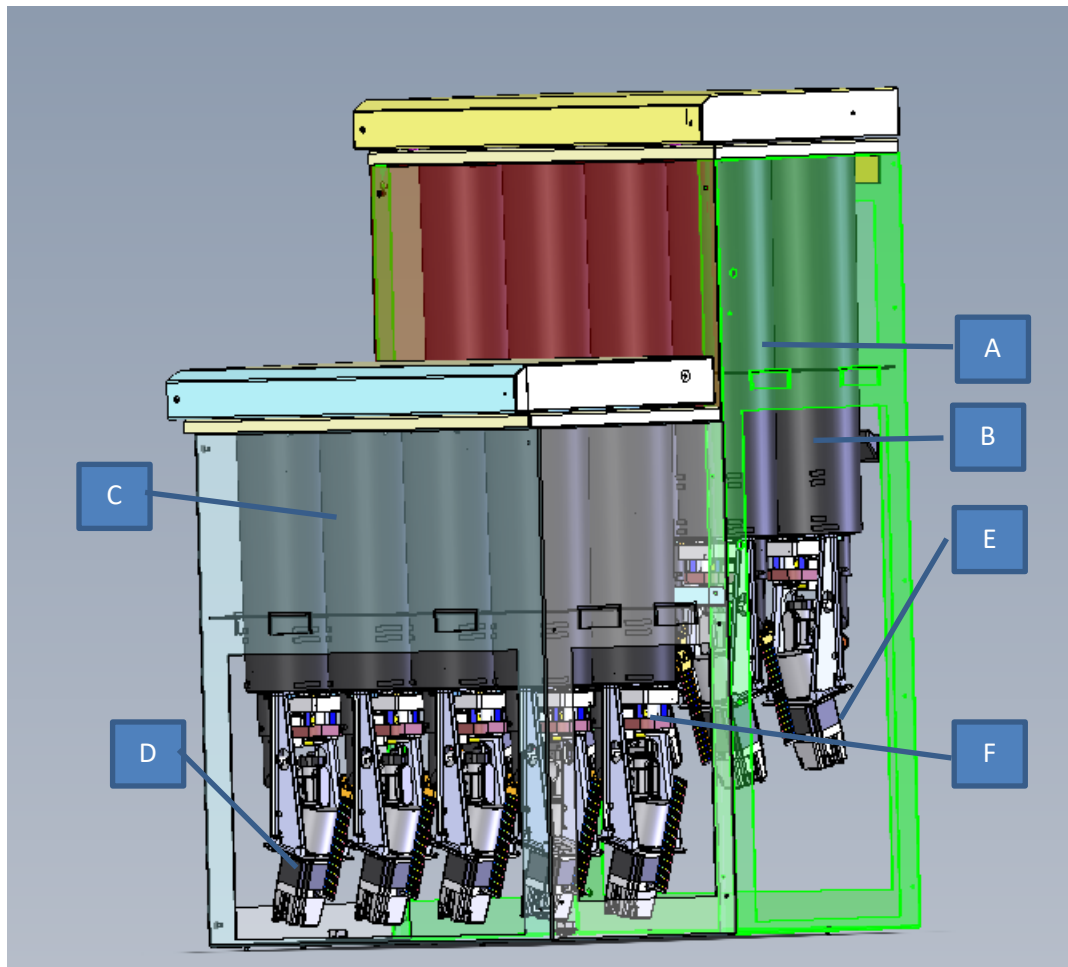
<u>Page</u>	<u>Reference</u>	<u>Part #</u>	<u>Description</u>	<u>Notes</u>
<u>1</u>	<u>A</u>	37150	Cover, Canister Bay, Upper	**Legacy part, see Appendix B
<u>1</u>	<u>B</u>	37151	Cover, Canister Bay, Lower	**Legacy part, see Appendix B
<u>1</u>	<u>C</u>	36038	Panel, Keyboard Cover	Reference Only, not for sale
<u>1</u>	<u>D</u>	29294	Tray, Mouse	
<u>1</u>	<u>E</u>	29290	Mount, Bar Code Scan Gun	
<u>1</u>	<u>F</u>	36793	Panel, Front, Right, Upper	Reference Only, not for sale
<u>1</u>	<u>G</u>	36808	Panel, Right, Side Back	Reference Only, not for sale
<u>1</u>	<u>H</u>	36813	Panel, Front, Right Bottom	Reference Only, not for sale
<u>1</u>	<u>I</u>	36812	Panel, Front, Left, Bottom	Reference Only, not for sale
<u>1</u>	<u>J</u>	36797	Panel Front, Left, Upper	Reference Only, not for sale
<u>1</u>	<u>K</u>	36809	Panel, Left, Side, Back	Reference Only, not for sale
<u>1</u>	<u>L</u>	36811	Panel, Back	Reference Only, not for sale
<u>1</u>	<u>M</u>	36968	Caster, Wheel	
<u>2</u>	<u>A</u>	38082	Canister Assy, 3 Gallon	**Legacy part, see Appendix B
<u>2</u>	<u>B</u>	38079	Canister Assy, 6 Liter	**Legacy part, see Appendix B
<u>2</u>	<u>C</u>	38084	Canister Assy, 4 Liter	**Legacy part, see Appendix B
<u>2</u>	<u>D</u>	38085	DVX Pump Assy, Short Motor	
<u>2</u>	<u>E</u>	37105	DVX Pump Assy, Large Motor	
<u>2</u>	<u>F</u>	4600284	Motor, Agitator	
<u>2</u>	<u>G</u>	37872	Lid, Canister, 4 and 6 Liter	
<u>2</u>	<u>H</u>	4600326	Fitting, Elbow, ½" to ½" (Pump Outlet to Tubing)	Not pictured – see Appendix A
<u>2</u>	<u>I</u>	21730	Tubing, 3/8" ID X 1/2" OD	Not pictured – see Appendix A
<u>3</u>	<u>A</u>	37122	Assy, Shelf, Quart/Pint	
<u>3</u>	<u>B</u>	36820	Adapter, Sample	
<u>3</u>	<u>C</u>	37149	Assy, Shelf, Can Lift	
<u>3</u>	<u>D</u>	37740	Kit, Can Lift, Ratchet & Stop Bracket	Not pictured – see Appendix A **Legacy part, see Appendix B
<u>3</u>	<u>E</u>	35961	Foot Pedal, Can Lift	
<u>3</u>	<u>F</u>	35969	Shock, Gas, 30lb	**Legacy part, see Appendix B
<u>3</u>	<u>G</u>	36157	Spring, Compression	**Legacy part, see Appendix B
<u>4</u>	<u>A</u>	34046	Motor, Nozzle Closer	
<u>4</u>	<u>B</u>	37077	Lead Screw Assy, Nozzle Closer	Additional picture, Appendix A
<u>4</u>	<u>C</u>	29687	PCB Nozzle Sensor	
<u>4</u>	<u>D</u>	37148	Assy, Tube Nozzle	Additional picture, Appendix A
<u>4</u>	<u>E</u>	37868	PCB, Can Locator LED	
<u>4</u>	<u>F</u>	36019	Assy, Nozzle Cup, Spring Loaded	
<u>4</u>	<u>G</u>	83252702RH	Button, Emergency Stop	
<u>5</u>	<u>A</u>	87140048RH	PCB, ALL IN ONE (AIO)	**Legacy part, see Appendix B
<u>5</u>	<u>B</u>	87140011RH	PCB, DC DISTRIBUTION	**Legacy part, see Appendix B

AT 7000 AIO Spare Parts Quick Reference Cont.

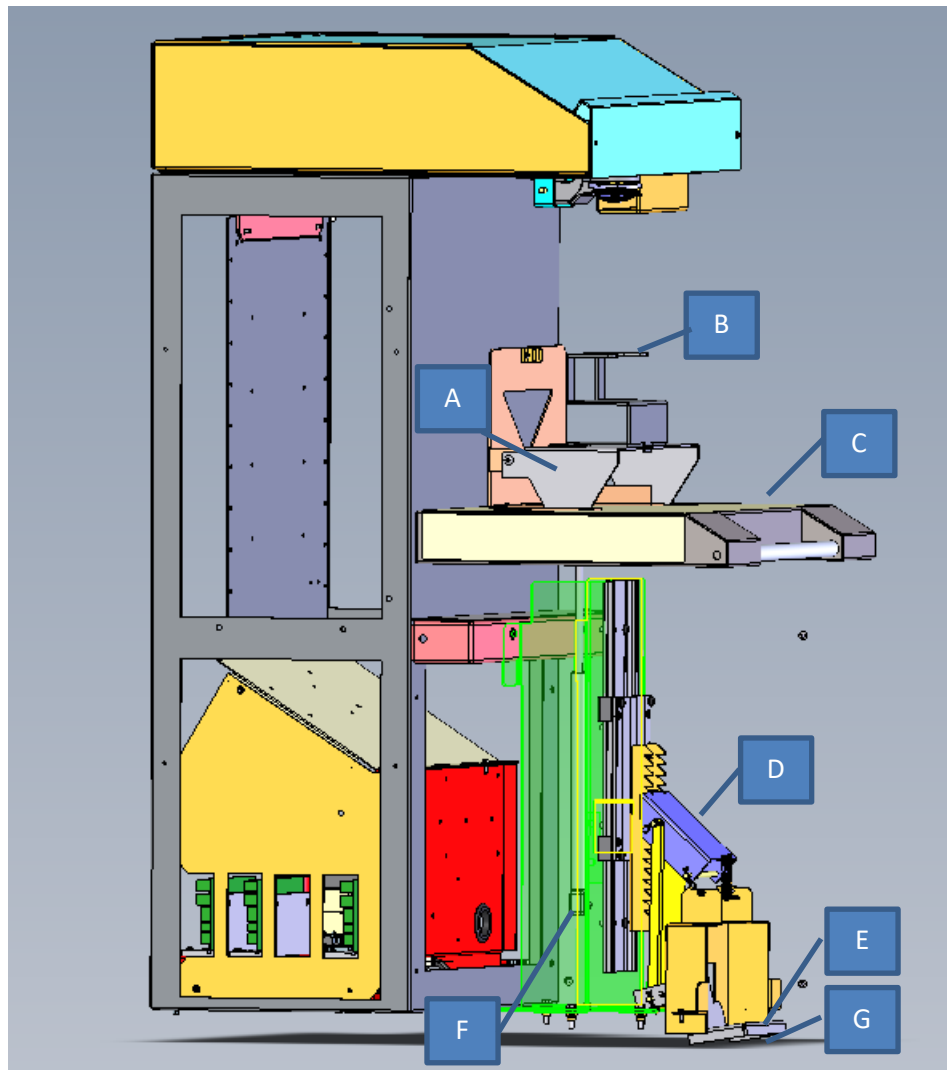
<u>5</u>	<u>C</u>	83820148RH	POWER SUPPLY	**Legacy part, see Appendix B
<u>5</u>	<u>D</u>	87132300RH	PCB, HIGH CURRENT STEPPER	**Legacy part, see Appendix B
<u>5</u>	<u>E</u>	83828383RH	TRANSFORMER	**Legacy part, see Appendix B
<u>5</u>	<u>F</u>	82108200RH	CAPACITOR, 8200UF, 100V, 2" DIA	**Legacy part, see Appendix B
<u>5</u>	<u>G</u>	87140049RH	PCB, AC DISTRIBUTION	**Legacy part, see Appendix B
<u>5</u>	<u>H</u>	81590563RH	LINE FILTER, 10A	**Legacy part, see Appendix B
<u>5</u>	<u>I</u>	87300225RH	ASSY, CAPACITOR 2.2UF X2	Additional picture, Appendix A
<u>5</u>	<u>J</u>	81512215RH	SWITCH, ON/OFF ROCKER THERMAL BREAKER	
<u>5</u>	<u>K</u>	81791333RH	OUTLET, LINE CORD RECEPTACLE	
<u>5</u>	<u>L</u>	35719	LINE CORD, AC POWER, LOCKING PLUG	Not pictured – see Appendix A
<u>App</u>	<u>A</u>	29678	Wash Bottle	
<u>App</u>	<u>B</u>	29764	Holder, Needle Pick	
<u>App</u>	<u>C</u>	29767	Needle Pick	
<u>App</u>	<u>D</u>	36664	Sponge, 14 Pack	
<u>App</u>	<u>E</u>	36665	Sponge, 56 Pack	
<u>App</u>	<u>F</u>	37740	Kit, Can Lift; Ratchet and Stop	
<u>App</u>	<u>G</u>	87300225RH	ASSY, CAPACITOR 2.2UF X2	
<u>App</u>	<u>H</u>	37148	Assy, Tube Nozzle & Fittings	
<u>App</u>	<u>I</u>	36790	Insert, Tube Reinforcement	
<u>App</u>	<u>J</u>	37077	Lead Screw Assy, Nozzle Closer	
<u>App</u>	<u>K</u>	4600326	Fitting, Elbow, 1/2" to 1/2" (Pump Outlet to Tubing)	
<u>App</u>	<u>L</u>	35719	LINE CORD, AC POWER, LOCKING PLUG	
<u>App</u>	<u>M</u>	21730	Tubing, 3/8" ID X 1/2" OD	
<u>App</u>	<u>N</u>	36244	Connector; Tubing; 1/2" x 1/4"	Additional picture, Appendix A
<u>App</u>	<u>O</u>	36969	KIT; SIM CARD; AT7000R Lowes 33721	
<u>App</u>	<u>P</u>	37133	KIT; SIM CARD, AT7000 16 Channel Non-33721	
<u>App</u>	<u>Q</u>	37135	KIT; SIM CARD, AT7000 16 Channel & Closer Non-33721	
<u>App</u>	<u>R</u>	87600082RH	Harness Bag	
<u>App</u>	<u>S</u>	87600090RH	Auto Nozzle Closer Harness	



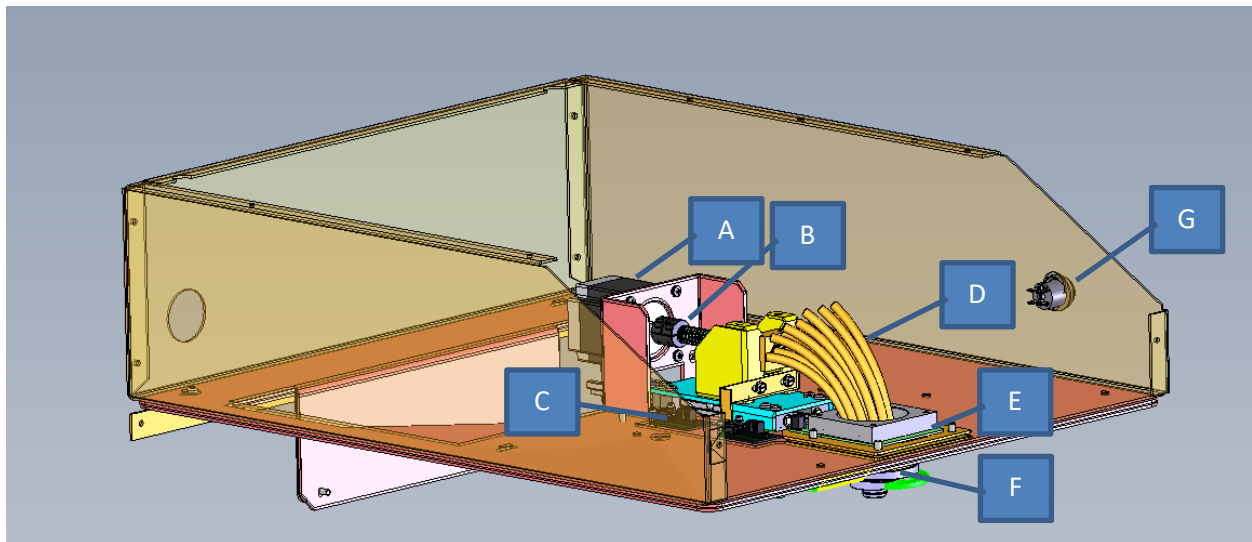
	Part #	Description	Notes
A	37150	Cover, Canister Bay, Upper	
B	37151	Cover, Canister Bay, Lower	
C	36038	Panel, Keyboard Cover	Reference Only, not for sale
D	29294	Tray, Mouse	
E	29290	Mount, Bar Code Scan Gun	
F	36793	Panel, Front, Right, Upper	Reference Only, not for sale
G	36808	Panel, Right, Side Back	Reference Only, not for sale
H	36813	Panel, Front, Right Bottom	Reference Only, not for sale
I	36812	Panel, Front, Left, Bottom	Reference Only, not for sale
J	36797	Panel Front, Left, Upper	Reference Only, not for sale
K	36809	Panel, Left, Side, Back	Reference Only, not for sale
L	36811	Panel, Back	Reference Only, not for sale
M	36968	Caster, Wheel	



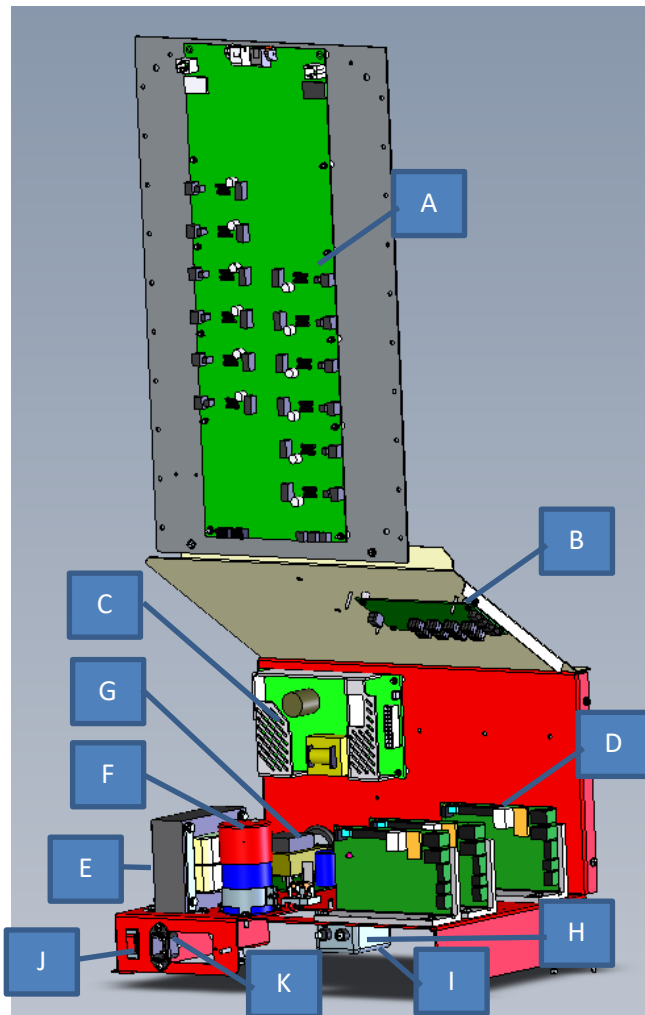
	Part #	Description	Notes
<u>A</u>	38082	Canister Assy, 3 Gallon	
<u>B</u>	38079	Canister Assy, 6 Liter	
<u>C</u>	38084	Canister Assy, 4 Liter	
<u>D</u>	38085	DVX Pump Assy, Short Motor	
<u>E</u>	37105	DVX Pump Assy, Large Motor	
<u>F</u>	4600284	Motor, Agitator	
<u>G</u>	37872	Lid, Canister, 4 and 6 Liter	
<u>H</u>	4600326	Fitting, Elbow, ½" to ½" (Pump Outlet to Tubing)	Not pictured – see Appendix A
<u>I</u>	21730	Tubing, 3/8" ID X 1/2" OD	Not pictured – see Appendix A



	Part #	Description	Notes
<u>A</u>	37122	Assy, Shelf, Quart/Pint	
<u>B</u>	36820	Adapter, Sample	Model 33721 Only
<u>C</u>	37149	Assy, Shelf, Can Lift	
<u>D</u>	37740	Kit, Can Lift, Ratchet & Stop Bracket	Not pictured – see Appendix A
<u>E</u>	35961	Foot Pedal, Can Lift	
<u>F</u>	35969	Shock, Gas, 30lb	
<u>G</u>	36157	Spring, Compression	

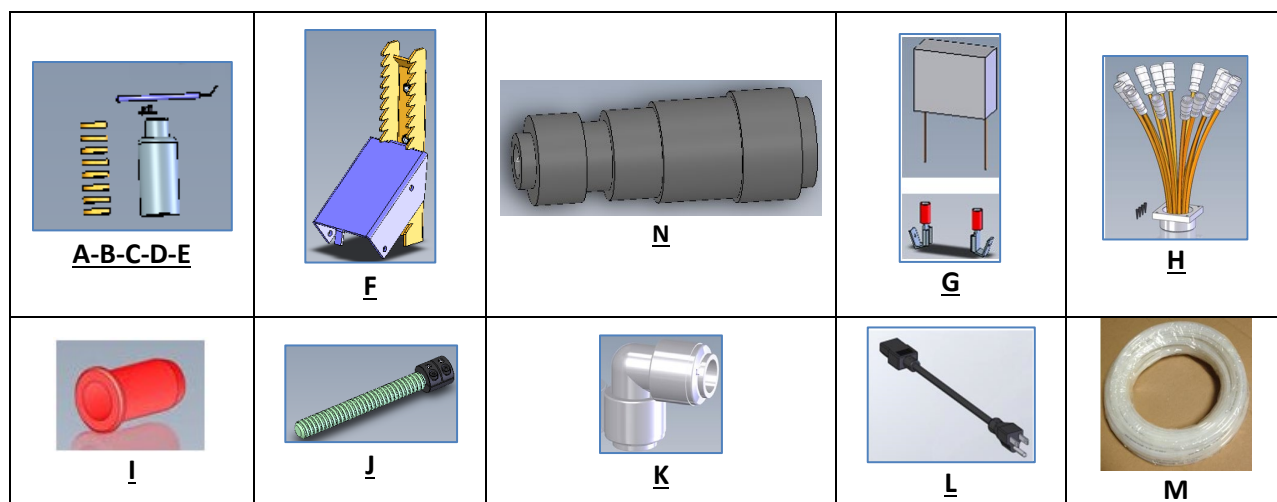


	Part #	Description	Notes
A	34046	Motor, Nozzle Closer	
B	37077	Lead Screw Assy, Nozzle Closer	Additional picture, Appendix A
C	29687	PCB Nozzle Sensor	
D	37148	Assy, Tube Nozzle	Additional picture, Appendix A
E	37868	PCB, Can Locator LED	
F	36019	Assy, Nozzle Cup, Spring Loaded	
G	83252702RH	Button, Emergency Stop	**all 33** models
H	36244	Connector; Tubing; 1/2" x 1/4"	Additional picture, Appendix A



	Part #	Description	Notes
A	87140048RH	PCB, ALL IN ONE (AIO)	
B	87140011RH	PCB, DC DISTRIBUTION	*all 33*** models
C	83820148RH	POWER SUPPLY	*all 33*** models
D	87132300RH	PCB, HIGH CURRENT STEPPER	*all 33*** models
E	83828383RH	TRANSFORMER	*all 33*** models
F	82108200RH	CAPACITOR, 8200UF, 100V, 2" DIA	*all 33*** models
G	87140049RH	PCB, AC DISTRIBUTION	*al 33*** models
H	81590563RH	LINE FILTER, 10A	*all 33*** models
I	87300225RH	ASSY, CAPACITOR 2.2UF X2	Additional picture, Appendix A
J	81512215RH	SWITCH, ON/OFF ROCKER THERMAL BREAKER	**all 33*** models
K	81791333RH	OUTLET, LINE CORD RECEPTACLE	**all 33*** models
L	35719	LINE CORD, AC POWER, LOCKING PLUG	Not pictured – see Appendix A

Appendix A



	Part #	Description	Notes
<u>A</u>	29678	Wash Bottle	
<u>B</u>	29764	Holder, Needle Pick	
<u>C</u>	29767	Needle Pick	
<u>D</u>	36664	Sponge, 14 Pack	
<u>E</u>	36665	Sponge, 56 Pack	
<u>F</u>	37740	Kit, Can Lift; Ratchet and Stop	
<u>G</u>	87300225RH	ASSY, CAPACITOR 2.2UF X2	
<u>H</u>	37148	Assy, Tube Nozzle & Fittings	
<u>I</u>	36790	Insert, Tube Reinforcement	
<u>J</u>	37077	Lead Screw Assy, Nozzle Closer	
<u>K</u>	4600326	Fitting, Elbow, 1/2" to 1/2" (Pump Outlet to Tubing)	
<u>L</u>	35719	LINE CORD, AC POWER, LOCKING PLUG	
<u>M</u>	21730	Tubing, 3/8" ID X 1/2" OD	
<u>N</u>	36244	Connector; Tubing; 1/2" x 1/4"	
<u>O</u>	36969	KIT; SIM CARD; AT7000 Model 33721	Not Pictured
<u>P</u>	37133	KIT; SIM CARD, AT7000 16 Channel Non-33721	Not Pictured
<u>Q</u>	37135	KIT; SIM CARD, AT7000 16 Channel & Closer Non-33721	Not Pictured
<u>R</u>	87600082RH	Harness Bag	Not Pictured
<u>S</u>	87600090RH	Auto Nozzle Closer Harness	Not Pictured

Appendix B – Legacy Spare Parts Reference ([back to Quick Reference](#))

Part #	Description	Notes
37163	Cover, Canister, Upper – model 27***	
26809	Cover, Canister, Upper – model 33*** prior to Nov 2013	
37163	Cover, Canister, Lower – model 27***	
37164	Cover, Canister, Lower – model 33*** prior to Nov 2013	
27277	Pump, DVX Gen 1	
34689	Canister Assembly – 4 liter – models 27***	
34690	Canister Assembly – 6 liter – models 27***	
36610	Canister & Pump Assembly – 4 liter – models 27***	
36611	Canister & Pump Assembly – 6 liter – models 27***	
36232	Can Lift and Cable Service Kit – all models prior to Nov 2013	
36776	Shock, Gas, 20lb – models 33*** prior to Nov 2013	
29294	Mouse Tray, Small – all models prior to Nov 2013	
26797	Nose Piece, Lift Table – all models prior to Nov 2013	
27323	PCB, Dispense Control – models 27***	
25927	PCB, Stepper – models 27***	
F26469-01	PCB, Muxing – Models 27***	
F27830-01	PCB, AC Distribution – models 27***	
F27834-01	PCB, DC Distribution - models 27***	
87129350RH	PCB, Dispense Coordinator – models 33*** prior to Nov 2013	
34315	Nozzle Block Assembly, Metric – models 33*** prior to Nov 2013	
35339	Seal, Nozzle Cover – all models prior to Nov 2013	
35344	Bracket, Nozzle Cup – all models prior to Nov 2013	
35348	Cup Assembly, Nozzle Closer, Manual – all models prior to Nov 2013	
35350	Cone, Manual Nozzle Closer – all models prior to Nov 2013	
28379	Transformer, 120v – models 27***	
29079	Resistor Assembly, 100 Ohm – models 27***	
33485	Resistor Assembly, 1k Ohm – models 33** prior to Nov 2013	
29429	Switch, Red Operator – models 27***	