

# 5G HD SHAKER SPARE PARTS MANUAL



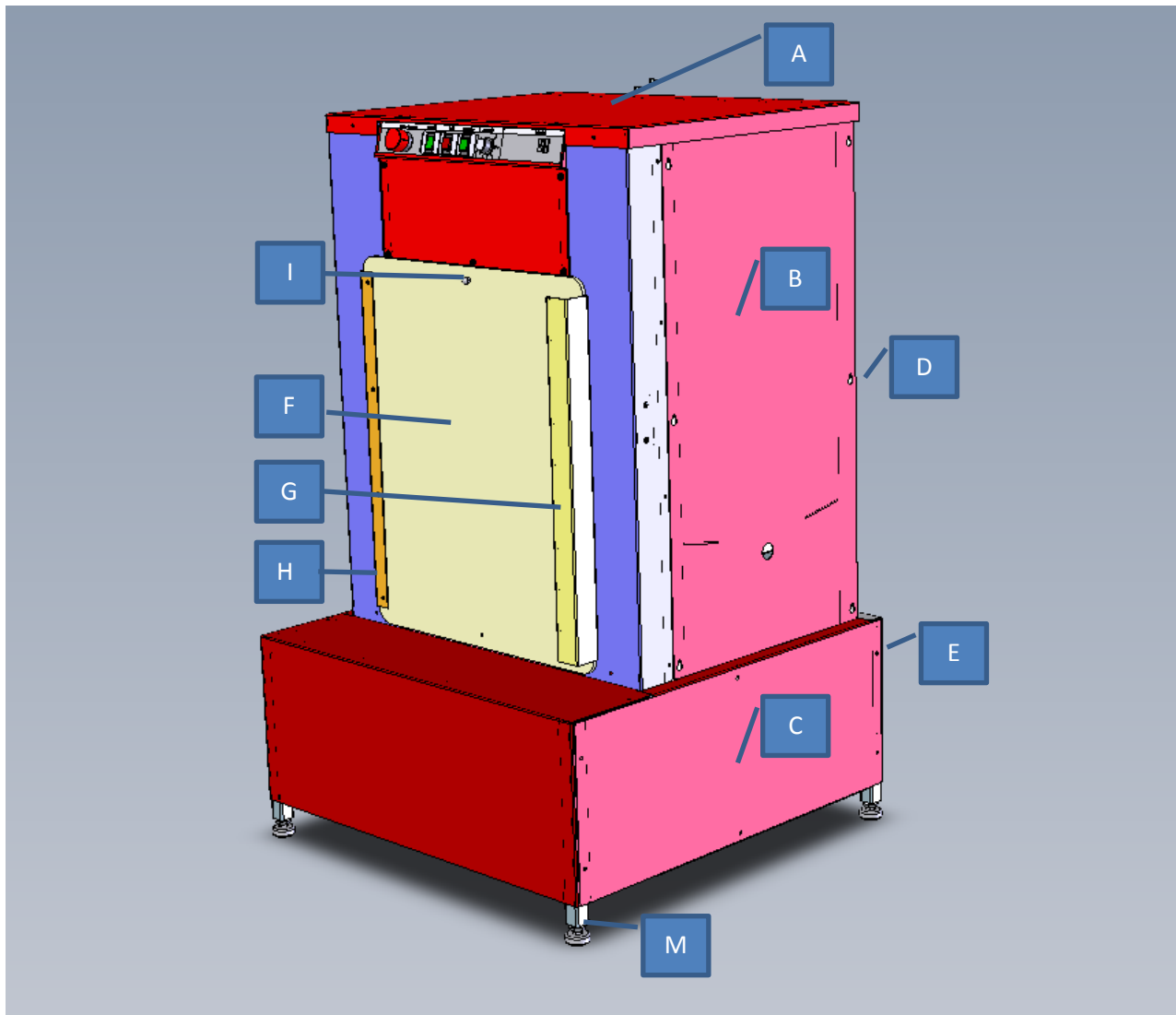
*Rev(B)  
January 26, 2018  
For models manufactured  
after August 2016  
including:*

*37600*

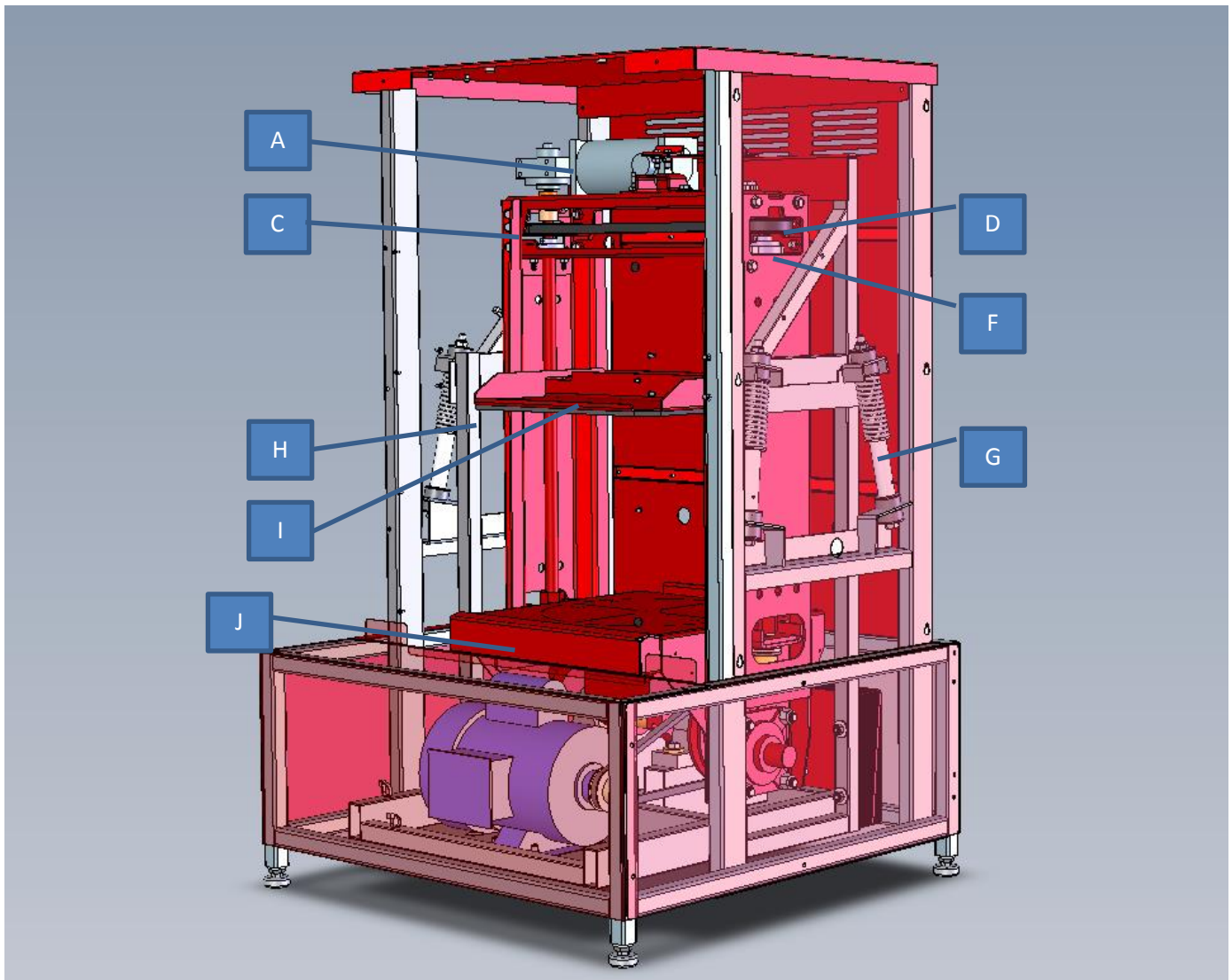
## New 5G Quick Reference Sheet – Model 37600

Page	Ref	Part #	Description	Notes
1	A	<a href="#">37590</a>	<a href="#">Top Cover</a>	Not for Sale
1	B	<a href="#">37592</a>	<a href="#">Side Cover (Left and Right)</a>	Not for Sale
1	C	<a href="#">37589</a>	<a href="#">Side Bottom Cover (Left and Right)</a>	Not for Sale
1	D	<a href="#">37593</a>	<a href="#">Back Panel</a>	Not for Sale
1	E	<a href="#">5105105</a>	<a href="#">Back Bottom Cover</a>	Not for Sale
1	F	<a href="#">24032</a>	<a href="#">Door Assembly Reversible</a>	
1	G	<a href="#">24031</a>	<a href="#">Handle, Door, Reversible</a>	
1	H	<a href="#">24030</a>	<a href="#">Hinge, Door, Painted, Reversible</a>	
1	I	<a href="#">17475</a>	<a href="#">Stud, Door Safety Switch</a>	
1	J	<a href="#">5308214</a>	<a href="#">Door Safety Switch</a>	See picture in Appendix A
1	K	<a href="#">17221</a>	<a href="#">Door Magnets</a>	Not Shown
1	L	<a href="#">37688</a>	<a href="#">Door Lock Kit (Optional)</a>	See picture in Appendix A
1	M	<a href="#">24180</a>	<a href="#">Leveling Foot Assembly</a>	
2	A	<a href="#">23364</a>	<a href="#">DC Clamp Motor</a>	
2	B	<a href="#">5108332</a>	<a href="#">Cable, DC Clamp Motor</a>	(Not Shown)
2	C	<a href="#">5107016</a>	<a href="#">Timing Belt, DC Clamp Motor</a>	
2	D	<a href="#">5103109</a>	<a href="#">Timing Pulley</a>	
2	E	<a href="#">5107015</a>	<a href="#">Key, Square, 1/8 x 1/4</a>	(Not Shown)
2	F	<a href="#">5103111</a>	<a href="#">Flange Bearing, Lead Screw</a>	
2	G	<a href="#">5109220 – Individual</a> <a href="#">5109300 – Kit of 4 + Oil</a>	<a href="#">Super Strut</a>	
2	H	<a href="#">5107123</a>	<a href="#">Top Plat Rubber Pad</a>	
2	I	<a href="#">37741</a>	<a href="#">Top Plate Assembly w/ Pad</a>	
2	J	<a href="#">5103165</a>	<a href="#">Shake Table Assembly</a>	
3	K	<a href="#">37742</a>	<a href="#">Flange Bearing, Shake Table</a>	
3	L	<a href="#">5108414</a>	<a href="#">Shake Motor</a>	
3	M	<a href="#">5108504</a>	<a href="#">Pulley, Shake Motor</a>	
3	N	<a href="#">5108405</a>	<a href="#">V Belt, Shake Motor</a>	
3	O	<a href="#">5108415</a>	<a href="#">Cord, Shake Motor</a>	(not shown)
3	P	<a href="#">5108416</a>	<a href="#">Shake Motor Assy w/ Pulley &amp; Cord</a>	(L, M, O from above)
3	Q	<a href="#">5108334</a>	<a href="#">AC Power Cord (Line Cord to Wall)</a>	(not shown)

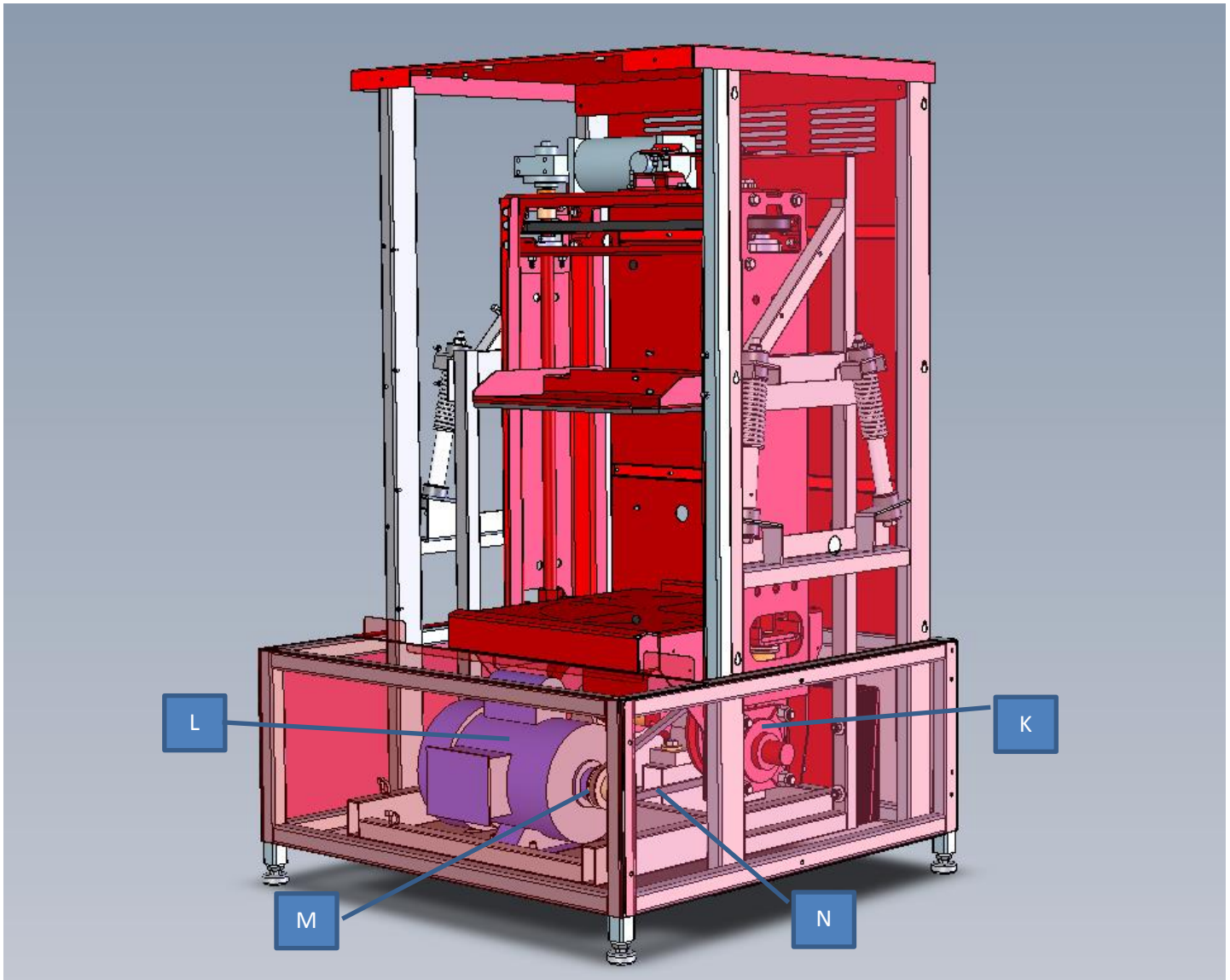
4	A	<a href="#">37145</a>	<a href="#">Emergency Stop Switch</a>	
4	B	<a href="#">83220149RH (83220150RH – 220V)</a>	<a href="#">Power On/Off Switch</a>	
4	C	<a href="#">83220019RH</a>	<a href="#">Up Switch</a>	
4	D	<a href="#">83220049RH</a>	<a href="#">Start Switch</a>	
4	E	<a href="#">80225022RH</a>	<a href="#">Potentiometer Knob</a>	
4	F	<a href="#">82710106RH</a>	<a href="#">Potentiometer, 8 Minute</a>	
4	G	<a href="#">81501028RH</a>	<a href="#">20 Amp Circuit Breaker</a>	
4	H	<a href="#">87635001RH</a>	<a href="#">Terminal Block w/ complete internal harness</a>	Assembly picture in Appendix A
4	I	<a href="#">5608204</a>	<a href="#">Relay, Shake Motor</a>	
4	J	<a href="#">5608205 (5608300 – 220v)</a>	<a href="#">Relay, Power</a>	
4	K	<a href="#">5108210 (5108395 – 220v)</a>	<a href="#">Transformer</a>	
4	L	<a href="#">37739</a>	<a href="#">PCB Kit with Decal</a>	
4	M	<a href="#">4000287</a>	<a href="#">Fuse Holder, Panel Mount</a>	
4	N	<a href="#">1007234</a>	<a href="#">Fuse, 5A Fast Blow</a>	
5	A	<a href="#">37597</a>	<a href="#">Stabilizer, Fiberglass</a>	
5	B	<a href="#">5107001</a>	<a href="#">Coupler &amp; Spider Assy Complete</a>	(Items C, D, E below)
5	C	<a href="#">5107004</a>	<a href="#">Coupler, DC Motor to Spider</a>	
5	D	<a href="#">5107003</a>	<a href="#">Spider, DC Motor Coupler</a>	
5	E	<a href="#">5107005</a>	<a href="#">Coupler, Lead Screw to Spider</a>	
5	F	<a href="#">5103160</a>	<a href="#">Lead Screw Assy w/ Upper Nut</a>	
5	G	<a href="#">5103145</a>	<a href="#">Top Plate Nut</a>	
5	H	<a href="#">5103104</a>	<a href="#">Thrust Bearing</a>	
5	I	<a href="#">5103105</a>	<a href="#">Nut, Lead Screw, Lower</a>	
5	J	<a href="#">5103193</a>	<a href="#">Washer, Teflon, Lead Screw</a>	
5	K	<a href="#">5103106</a>	<a href="#">Flange Bushing</a>	
5	L	<a href="#">5106107</a>	<a href="#">Bearing, Pillow Block, Crankshaft</a>	
5	M	<a href="#">5106105</a>	<a href="#">Crankshaft</a>	
6	A	<a href="#">87635001RH</a>	<a href="#">Terminal Block w/ complete internal harness</a>	
6	B	<a href="#">24041</a>	<a href="#">Force Gauge Kit</a>	
6	C	<a href="#">37688</a>	<a href="#">Door Lock Kit (Optional)</a>	
6	D	<a href="#">5109020</a>	<a href="#">DISC; FOAM; SET; COMPLETE</a>	
6	E	<a href="#">5109017</a>	<a href="#">DISC; FLAKE BOARD; 3/8 THICK</a>	
6	F	<a href="#">4000327</a>	<a href="#">Loctite Superbondor 416</a>	
6	G	<a href="#">25090</a>	<a href="#">Quart/Pint Adapter</a>	



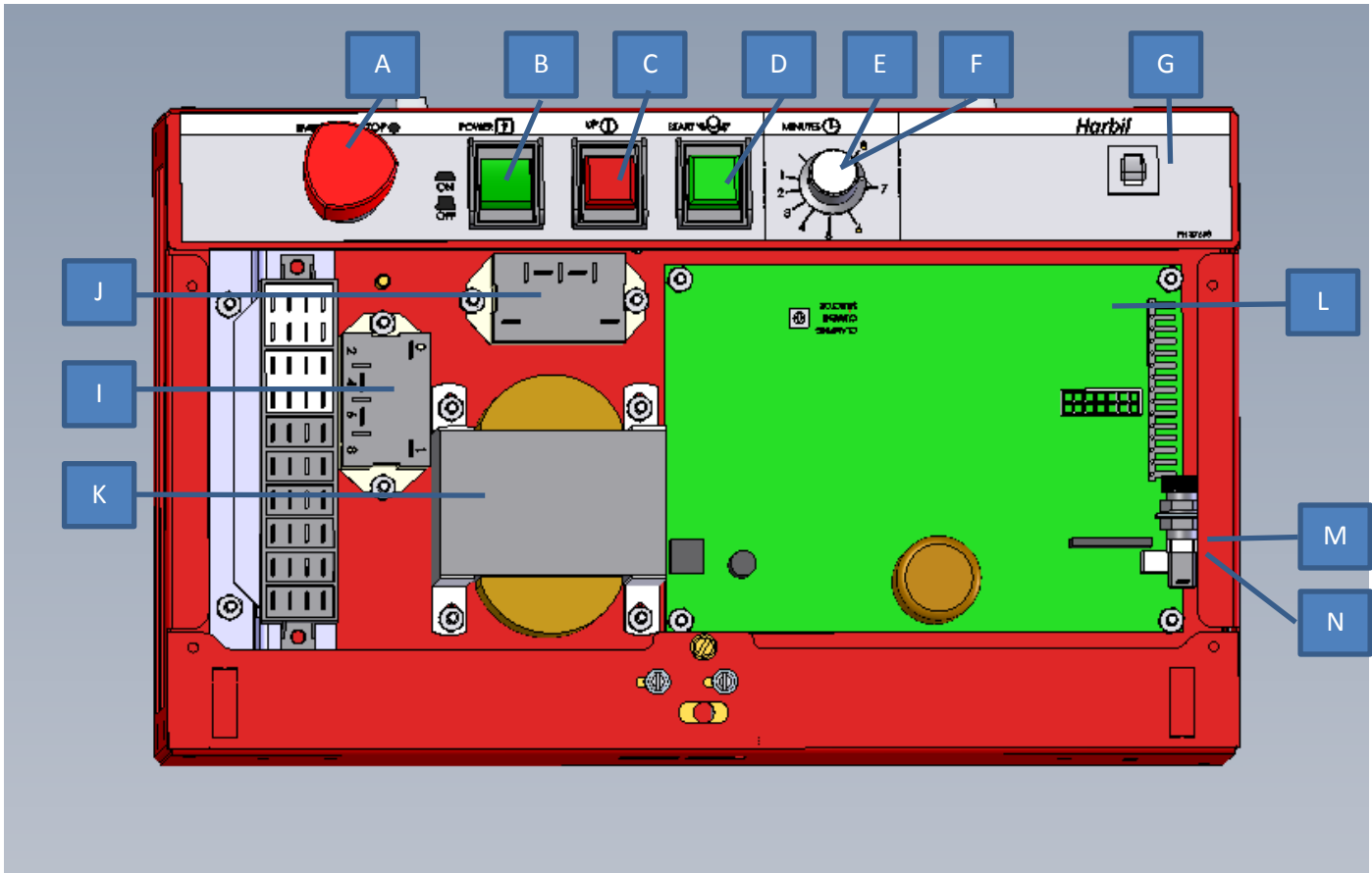
	Part #	Description	Notes
A	37590	Top Cover	Not for Sale
B	37592	Side Cover (Left and Right)	Not for Sale
C	37589	Side Bottom Cover (Left and Right)	Not for Sale
D	37593	Back Panel	Not for Sale
E	5105105	Back Bottom Cover	Not for Sale
F	24032	Door Assembly Reversible	
G	24031	Handle, Door, Reversible	
H	24030	Hinge, Door, Painted, Reversible	
I	17475	Stud, Door Safety Switch	
J	5308214	Door Safety Switch	See picture in Appendix A
K	17221	Door Magnets	Not Shown
L	37688	Door Lock Kit (Optional)	See picture in Appendix A
M	24180	Leveling Foot Assembly	



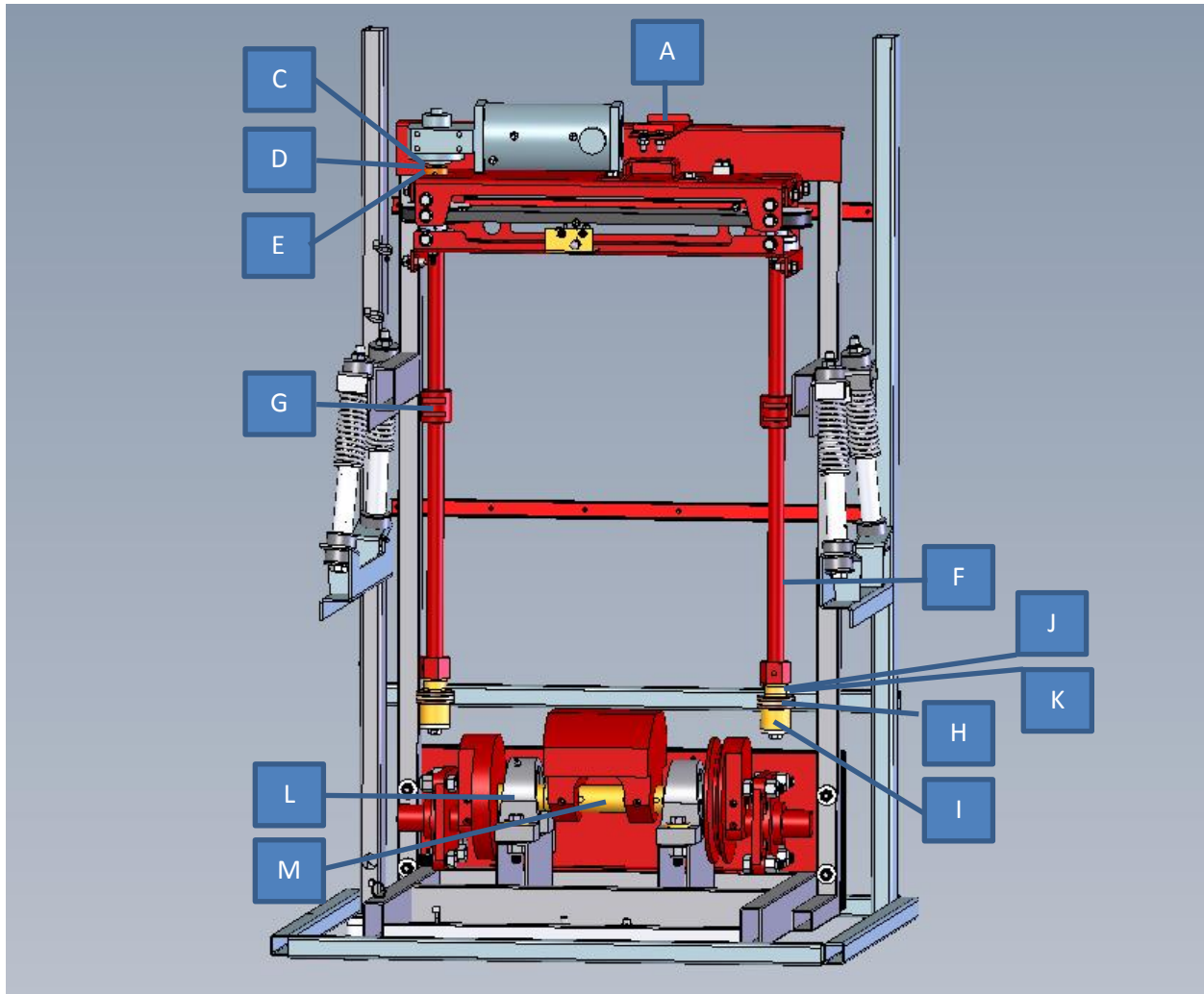
	Part #	Description	Notes
A	23364	DC Clamp Motor	
B	5108332	Cable, DC Clamp Motor	(Not Shown)
C	5107016	Timing Belt, DC Clamp Motor	
D	5103109	Timing Pulley	
E	5107015	Key, Square, 1/8 x 1/4	(Not Shown)
F	5103111	Flange Bearing, Lead Screw	
G	5109220 – Individual 5109300 – Kit of 4 + Oil	Super Strut	
H	5107123	Top Plat Rubber Pad	
I	37741	Top Plate Assembly w/ Pad	
J	5103165	Shake Table Assembly	



K	37742	Flange Bearing, Shake Table	
L	5108414	Shake Motor	
M	5108504	Pulley, Shake Motor	
N	5108405	V Belt, Shake Motor	
O	5108415	Cord, Shake Motor	(not shown)
P	5108416	Shake Motor Assy w/ Pulley & Cord	(L, M, O from above)
Q	5108334	AC Power Cord (Line Cord to Wall)	(not shown)



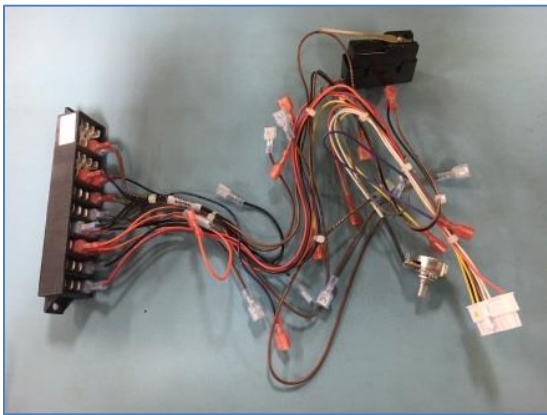
	Part #	Description	Notes
A	37145	Emergency Stop Switch	
B	83220149RH (83220150RH – 220V)	Power On/Off Switch	
C	83220019RH	Up Switch	
D	83220049RH	Start Switch	
E	80225022RH	Potentiometer Knob	
F	82710106RH	Potentiometer, 8 Minute	
G	81501028RH	20 Amp Circuit Breaker	
H	87635001RH	Terminal Block w/ complete internal harness	Assembly picture in Appendix A
I	5608204	Relay, Shake Motor	
J	5608205 (5608300 – 220v)	Relay, Power	
K	5108210 (5108395 – 220v)	Transformer	
L	37739	PCB Kit with Decal	
M	4000287	Fuse Holder, Panel Mount	
N	1007234	Fuse, 5A Fast Blow	



	Part #	Description	Notes
A	37597	Stabilizer, Fiberglass	
B	5107001	Coupler & Spider Assy Complete	(Items C, D, E below)
C	5107004	Coupler, DC Motor to Spider	
D	5107003	Spider, DC Motor Coupler	
E	5107005	Coupler, Lead Screw to Spider	
F	5103160	Lead Screw Assy w/ Upper Nut	
G	5103145	Top Plate Nut	
H	5103104	Thrust Bearing	
I	5103105	Nut, Lead Screw, Lower	
J	5103193	Washer, Teflon, Lead Screw	
K	5103106	Flange Bushing	
L	5106107	Bearing, Pillow Block, Crankshaft	
M	5106105	Crankshaft	



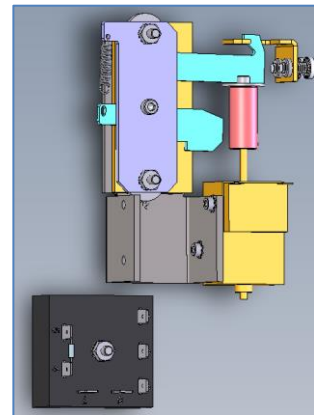
## Appendix A



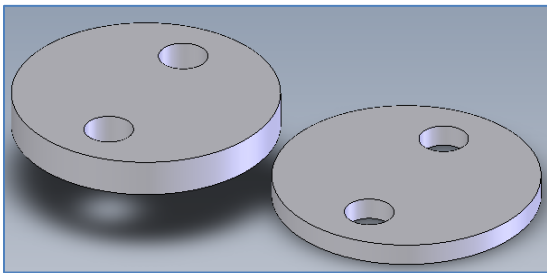
A



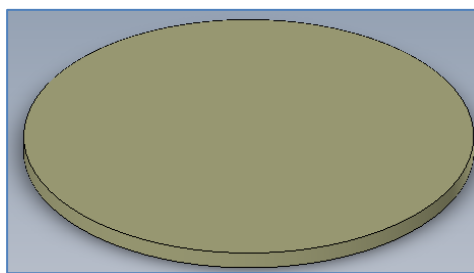
B



C



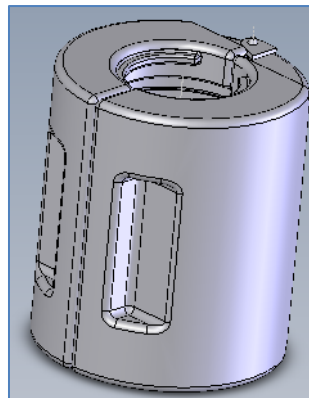
D



E



F



G

	Part #	Description	Notes
A	87635001RH	Terminal Block w/ complete internal harness	
B	24041	Force Gauge Kit	
C	37688	Door Lock Kit (Optional)	
D	5109020	DISC; FOAM; SET; COMPLETE	
E	5109017	DISC; FLAKE BOARD; 3/8 THICK	
F	4000327	Loctite Superbond 416	
G	25090	Quart/Pint Adapter	